

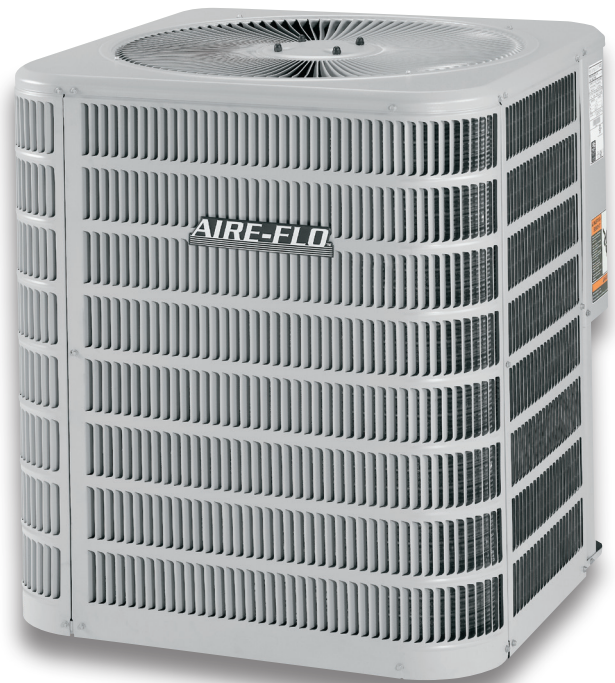


Heat Pumps 4HP14L

PRODUCT SPECIFICATIONS

- R-410A Refrigerant
- Compressors with internal pressure relief valves and inherent thermal protection
- High-quality outdoor coils constructed of copper tubes with enhanced louvered fins for maximum heat transfer
- Louvered cabinet protects coil from fin damage
- Vertical air discharge sends hot air up and away from home and shrubbery
- Permanently lubricated outdoor fan motor needs no annual maintenance
- Easy access to electrical panels, prewired for easy hook-up to internal components
- Integrated control with short cycle, defrost control and LED diagnostics
- 45-degree service valves for easy hook-up and service
- Liquid line filter drier factory installed
- All units are factory run tested
- Charged for 15 feet of line-set
- AHRI Certified and ETL listed

14 SEER
8.2 HSPF
1.5 to 5 Tons

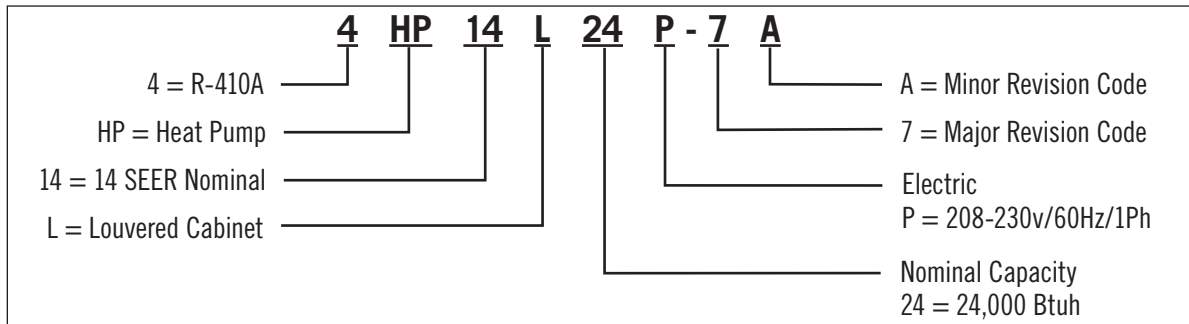


Warranty
Compressor - 5 Year Limited
Parts - 5 Year Limited

Heat Pumps

4HP14L

Model Number Identification



Electrical Data / Specifications

| Model No. | 4HP14L18P | 4HP14L24P | 4HP14L30P | 4HP14L36P | 4HP14L42P | 4HP14L48P | 4HP14L60P |
|--------------------------------|-----------|-----------|-----------|-----------|-----------|-----------|-----------|
| Rated Voltage (Volts) | 208-230 | 208-230 | 208-230 | 208-230 | 208-230 | 208-230 | 208-230 |
| Phase | 1 | 1 | 1 | 1 | 1 | 1 | 1 |
| Frequency (Hz.) | 60 | 60 | 60 | 60 | 60 | 60 | 60 |
| Voltage Range | 197-253 | 197-253 | 197-253 | 197-253 | 197-253 | 197-253 | 197-253 |
| Maximum Overcurrent Protection | 20 | 30 | 25 | 30 | 40 | 50 | 50 |
| Minimum Circuit Ampacity | 12.3 | 17.9 | 17.1 | 18.7 | 24.2 | 29.0 | 29.4 |
| Compressor - Rated Load Amps | 9.0 | 13.4 | 12.8 | 14.1 | 17.9 | 21.8 | 22.1 |
| Compressor - Locked Rotor Amps | 48 | 58 | 64 | 77 | 112 | 117 | 125 |
| Fan Motor - Rated Load Amps | 1.1 | 1.1 | 1.1 | 1.1 | 1.8 | 1.8 | 1.8 |
| Fan Motor - HP | 1/6 | 1/6 | 1/6 | 1/6 | 1/3 | 1/3 | 1/3 |
| Fan Motor - Nominal RPM | 825 | 825 | 825 | 825 | 825 | 825 | 825 |
| Refrigerant Charge (oz.) | 87 | 108 | 110 | 159 | 184 | 232 | 228 |
| Liquid Line Set (in.) | 3/8 | 3/8 | 3/8 | 3/8 | 3/8 | 3/8 | 3/8 |
| Vapor Line Set (in.) | 3/4 | 3/4 | 3/4 | 7/8 | 7/8 | 7/8 | 7/8 |
| Weight (lbs.) | 165 | 177 | 178 | 202 | 272 | 273 | 297 |

Accessories

| Description | Catalog Number | Used With |
|--------------------|----------------|------------------------|
| Crankcase Heater | 93M04 | 18, 24, 30, 36 |
| Crankcase Heater | 93M05 | 42, 48, 60 |
| Freezestat (3/8") | 93G35 | All Models |
| Freezestat (5/8") | 50A93 | All Models |
| Hard Start Kit | 10J42 | 18 |
| Hard Start Kit | 88M91 | 24, 30, 36, 42, 48, 60 |
| Loss of Charge Kit | 84M23 | All Models |
| Low Ambient Kit | 45F08 | All Models |
| Sound Blanket | 69J03 | All Models |
| Time Delay Relay | 58M81 | All Models |

Heat Pumps 4HP14L

Cooling/Heating Performance

| Outdoor Unit Model No. | ¹ Rated Air Capacity | SEER | EER | Heating Capacity | | HSPF | Indoor Unit Model No. | Furnace Model No. | Indoor Metering Device | AHRI Reference No. |
|------------------------|----------------------|-------|-------|------------------|--------|------|-----------------------|-------------------|--------------------------------|--------------------|
| | | | | High | Low | | | | Field Installed TXV (Optional) | |
| 4HP14L18P-7 | 17,700 | 14.50 | 12.00 | 15,800 | 8,800 | 8.20 | A*24E(1,2)*+TXV | 95AF2UH045V12B | 49L24 | 5590866 |
| | 17,700 | 15.00 | 12.50 | 15,800 | 8,800 | 8.20 | A*24E(1,2)*+TXV | 95AF2UH070V12B | 49L24 | 5590869 |
| | 18,000 | 14.50 | 12.00 | 15,800 | 8,800 | 8.20 | A*30F(1,2)*+TXV | 95AF2UH045V12B | 49L24 | 5590867 |
| | 18,000 | 15.00 | 12.50 | 15,800 | 8,800 | 8.20 | A*30F(1,2)*+TXV | 95AF2UH070V12B | 49L24 | 5590870 |
| | 18,000 | 14.50 | 12.00 | 15,800 | 8,800 | 8.20 | A*36G(1,2)*+TXV | 95AF2UH045V12B | 49L24 | 5590868 |
| | 18,000 | 15.00 | 12.50 | 15,800 | 8,800 | 8.20 | A*36G(1,2)*+TXV | 95AF2UH070V12B | 49L24 | 5590871 |
| | 17,800 | 14.00 | 11.50 | 16,600 | 10,500 | 8.00 | BCS3M18C****P+TXV | | 49L24 | 5492027 |
| 4HP14L24P-7 | 23,400 | 15.00 | 12.50 | 20,000 | 12,400 | 8.50 | A*24E(1,2)*+TXV | 95AF2UH045V12B | 49L24 | 5590872 |
| | 23,400 | 15.00 | 12.50 | 20,000 | 12,400 | 8.50 | A*24E(1,2)*+TXV | 95AF2UH070V12B | 49L24 | 5590875 |
| | 23,400 | 15.00 | 12.50 | 20,000 | 12,400 | 8.50 | A*30F(1,2)*+TXV | 95AF2UH045V12B | 49L24 | 5590873 |
| | 23,400 | 15.00 | 12.50 | 20,000 | 12,400 | 8.50 | A*30F(1,2)*+TXV | 95AF2UH070V12B | 49L24 | 5590876 |
| | 23,400 | 14.00 | 11.50 | 20,400 | 12,400 | 8.20 | A*30F(1,2)*+TXV+TD | | 49L24 | 4776091 |
| | 23,400 | 15.00 | 12.50 | 20,000 | 12,400 | 8.50 | A*36G(1,2)*+TXV | 95AF2UH045V12B | 49L24 | 5590874 |
| | 23,400 | 15.00 | 12.50 | 20,000 | 12,400 | 8.50 | A*36G(1,2)*+TXV | 95AF2UH070V12B | 49L24 | 5590877 |
| | 23,400 | 14.00 | 12.00 | 21,600 | 14,000 | 8.20 | BCS3M24C****P+TXV | | 49L24 | 5492028 |
| 4HP14L30P-7 | 28,800 | 14.50 | 12.00 | 24,600 | 15,400 | 8.50 | A*36G(1,2)*+TXV | 95AF2UH070V12B | 49L24 | 5590878 |
| | 28,000 | 14.50 | 12.00 | 24,600 | 14,000 | 8.50 | A*36G(1,2)*+TXV | 95AF2UH090V12C | 49L24 | 5590879 |
| | 28,800 | 13.00 | 11.00 | 24,600 | 15,400 | 8.20 | A*36G(1,2)*+TXV+TD | | 49L24 | 4776092 |
| | 28,600 | 14.00 | 12.00 | 26,000 | 17,000 | 8.20 | BCS3M30C****P+TXV | | 49L24 | 5492029 |
| 4HP14L36P-7 | 34,000 | 14.00 | 12.00 | 33,800 | 21,800 | 8.20 | BCS3M36C****P+TXV | | 49L25 | 5492030 |
| 4HP14L42P-7 | 41,500 | 15.00 | 12.50 | 40,000 | 25,600 | 8.20 | A*48D(1,2)*+TXV | 95AF2UH090V20C | 49L25 | 5590885 |
| | 41,500 | 15.00 | 12.50 | 40,000 | 25,600 | 8.20 | A*48D(1,2)*+TXV | 95AF2UH110V20C | 49L25 | 5590886 |
| | 41,500 | 15.00 | 12.50 | 40,000 | 26,400 | 8.50 | A*48D(1,2)*+TXV | 95AF2UH135V20D | 49L25 | 5590887 |
| | 41,500 | 14.00 | 12.00 | 40,000 | 27,200 | 8.20 | A*48D(1,2)*+TXV+TD | | 49L25 | 4776093 |
| | 41,000 | 14.00 | 12.00 | 40,000 | 28,800 | 8.20 | BCS3M42C****P+TXV | | 49L25 | 5492031 |
| 4HP14L48P-7 | 47,000 | 14.50 | 12.00 | 44,000 | 28,000 | 8.20 | A*48D(1,2)*+TXV | 95AF2UH135V20D | 91M02 | 5590888 |
| | 47,000 | 14.00 | 11.50 | 44,500 | 28,000 | 8.20 | A*48D(1,2)*+TXV+TD | | 91M02 | 4776094 |
| | 48,000 | 14.50 | 12.00 | 44,000 | 28,000 | 8.20 | A*60G(1,2)*+TXV | 95AF2UH135V20D | 91M02 | 5590889 |
| | 47,000 | 14.00 | 12.00 | 46,000 | 29,600 | 8.20 | BCS3M48C****P+TXV | | 91M02 | 5492032 |
| 4HP14L60P-7 | 58,000 | 14.00 | 12.00 | 53,000 | 34,400 | 8.20 | A*60G(1,2)*+TXV+TD | | 91M02 | 4776095 |
| | 57,000 | 14.00 | 12.00 | 55,000 | 36,000 | 8.20 | BCS3M60C****P+TXV | | 91M02 | 5492033 |

¹ AHRI Certified to Standard 210/240.

NOTE - All ratings include the use of a blower time delay. All BCS3 air handlers have time delay capabilities. If a coil is matched with a furnace the furnace may require an optional time delay relay for field installation. See furnace or air handler specifications to determine if relay is needed.

NOTES - A* = All AU (uncased) and AC (cased) Aire-Flo coils.

+TXV = TXV required.

+TD = Time Delay required.

****P+TXV = Piston equipped models with optional TXV.

Heat Pumps

4HP14L

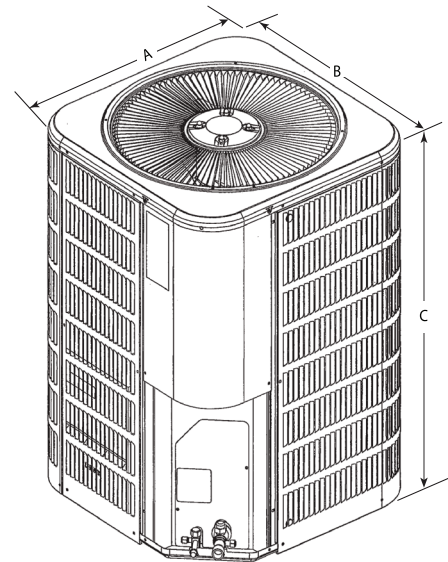
Sound Ratings

| Model No. | Sound Rating dBA |
|-----------|------------------|
| 4HP14L18P | 76 |
| 4HP14L24P | 76 |
| 4HP14L30P | 76 |
| 4HP14L36P | 76 |
| 4HP14L42P | 79 |
| 4HP14L48P | 80 |
| 4HP14L60P | 80 |

Dimensions

| Model No. | 4HP14L18P | 4HP14L24P | 4HP14L30P | 4HP14L36P |
|-----------------------|-----------|-----------|-----------|-----------|
| Cabinet Width (A) in. | 28-1/4" | 28-1/4" | 28-1/4" | 28-1/4" |
| Cabinet Depth (B) in. | 28-1/4" | 28-1/4" | 28-1/4" | 28-1/4" |
| Height (C) in. | 29" | 37" | 37" | 33" |

| Model No. | 4HP14L42P | 4HP14L48P | 4HP14L60P |
|-----------------------|-----------|-----------|-----------|
| Cabinet Width (A) in. | 32-1/4" | 32-1/4" | 32-1/4" |
| Cabinet Depth (B) in. | 32-1/4" | 32-1/4" | 32-1/4" |
| Height (C) in. | 37" | 37" | 43" |



Revisions

| Sections | Description of Change |
|----------------------------------|--|
| Cooling/Heating Performance | AHRI ratings updated. |
| Electrical Data / Specifications | Updated electrical data and refrigerant charges. |



Intertek

1.800.982.2333
www.aireflo-hvac.com

210572 4HP14 (5/13)

© Aire-Flo Heating and Cooling, 2013